

# HUSSMANN®

SMGV

## IMPACT

Impact Service Merchandiser With Straight Glass and Gravity Coil for Meat and Deli - NSF Certified



# Husmann Impact Service Merchandiser With Straight Glass and Gravity Coil for Meat and Deli Applications

**HUSSMANN®**  
**Impact**

SMGV - Straight Glass Case With Gravity Coil and Small Blower Coil for Meat and Deli

Available in 4', 6', 8', and 12' lengths

## Straight Glass With Large, Stainless Steel Top Display Surface

The SMGV offers a traditional straight glass design with a large, stainless steel display surface on top. This provides plenty of extra room for customer service and/or for displaying signs or related products.

## Advanced Impact Design

The SMGV is a true "Impact" merchandiser, incorporating the best features and benefits of the Impact product line. These include advanced modular coils, superior energy efficiency, modular case design, durable bumper, and factory pre-adjusted expansion valves.

## Reduced Refrigerant, Fewer Leaks

Patented Impact modular coils require 50% to 60% less refrigerant. Also, all return bend solder joints have been eliminated, which greatly reduces the possibility of refrigerant leaks.

## Options

Options include third row canopy lights, mezzanine shelves, scale stands, thermometers and wrapping boards.

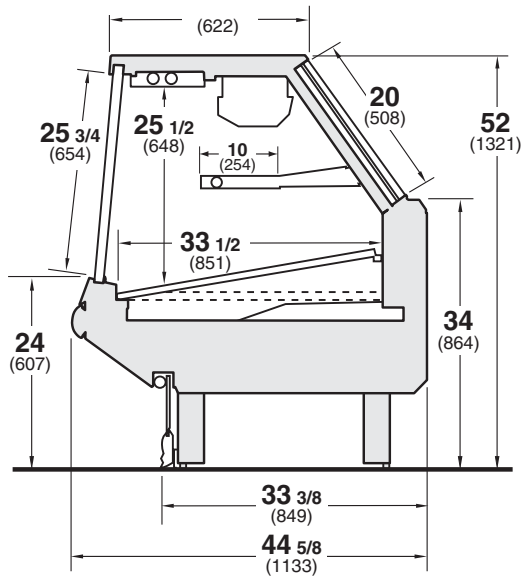
## NSF Certified

The SMGV has been NSF certified to ANSI/NSF standard 7.

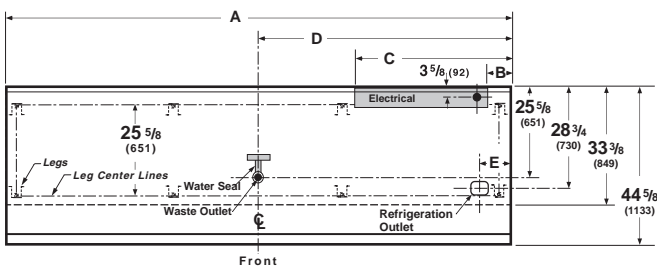
NOTE: These merchandisers are designed for use in stores when temperature and humidity do not exceed 75°F and 55% R.H.

NOTE: We reserve the right to change or revise specifications and product design in connection with any feature of our products. Such changes do not entitle the buyer to corresponding changes, improvements, additions, or replacements for equipment previously sold or shipped.

SMGV



## 4', 6', 8', 12' Plan View



| Dimension | A              | B       | C             | D        |
|-----------|----------------|---------|---------------|----------|
| 4 foot    | 48 1/4 (1226)  | 7 (178) | 41 3/8 (1051) | 24 (610) |
| 6 foot    | 72 1/4 (1835)  | 7 (178) | 32 3/4 (831)  | 24 (610) |
| 8 foot    | 96 3/8 (2448)  | 7 (178) | 44 1/2 (1131) | 24 (610) |
| 12 foot   | 144 1/2 (3670) | 7 (178) | 44 1/2 (1131) | 24 (610) |

Note: Overall case length without ends or partitions

Note: Please use Husmann's technical data sheets to get precise dimensions for all store layout purposes.

Web Site: [www.husmann.com](http://www.husmann.com)  
E-mail: [husmann-marketing@irco.com](mailto:husmann-marketing@irco.com)

**IR Ingersoll Rand**  
Climate Control Technologies

**Husmann Corporation**  
12999 St. Charles Rock Rd.  
Bridgeton, MO 63044-2483  
(314) 291-2000  
(314) 298-4756 Fax