

HUSSMANN®

C4X

IMPACT EXCEL

Multi-Deck Convertible Merchandiser for All Medium Temperature Applications



Multi-Deck Convertible Merchandiser

HUSSMANN®
Impact Excel

C4X-LE Multi-Deck Convertible

Available in 4', 6', 8' and 12' lengths.

Superior Merchandising

The C4X is a medium capacity, high performance convertible merchandiser that will comfortably handle four merchandising levels. Shelves can be placed in any position due to the recessed shelf wiring harness channel in Excel. The C4X does an excellent job with any medium temperature product, including fresh meat and cut produce. Optional lighted canopy signs can be used to announce specials, advertise brands, promote store slogans and more. Full view glass ends are optionally available to increase product visibility.

Lower Energy Costs

Standard high efficiency coils in the C4X keep energy costs down. Integrated night curtains are optionally available to further reduce energy costs.

Superior Shelf Life

Modular coils and off-time defrost help reduce thermal shock and stabilize product temperatures, resulting in better freshness and longer shelf life.

Lower Labor Costs

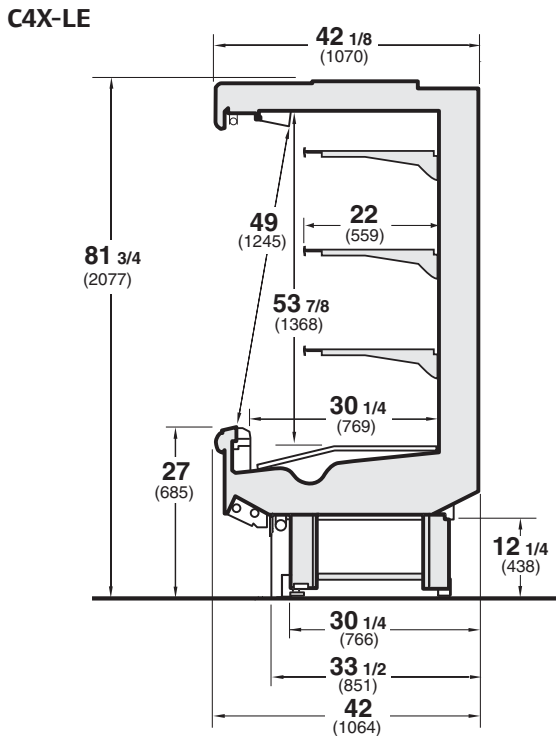
Labor saving features include easier access for cleaning under the case, easy-to-clean bathtub bottom (no coil in the bottom of the case), adjustable feet and simplified raceway access for quicker installation, and more.

Superior Reliability

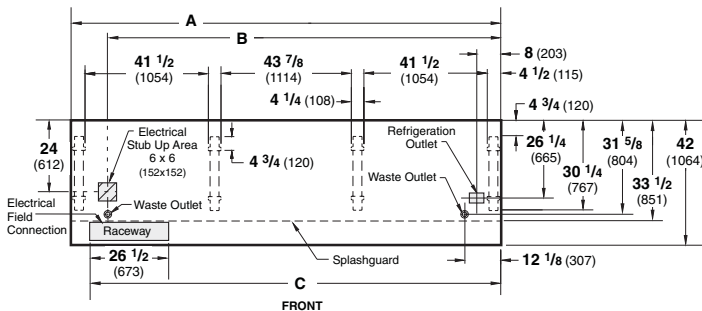
Our five year modular coil warranty is the best available. Pre-set expansion valves are designed to hold optimal temperatures throughout the life of the case.

Note: These merchandisers are designed for use in stores when temperature and humidity do not exceed 75°F and 55% RH.

Note: We reserve the right to change or revise specifications and product design in connection with any feature of our products. Such changes do not entitle the buyer to corresponding changes, improvements, additions or replacements for equipment previously sold or shipped.



C4X-LE 4', 6', 8' and 12' Plan Views



Dimension	A	B	C
4 foot	48 3/8 (1229)	36 1/4 (921)	42 1/8 (1070)
6 foot	72 3/8 (1838)	60 1/4 (1530)	66 1/8 (1680)
8 foot	96 3/8 (2448)	84 1/4 (2140)	90 1/8 (2289)
12 foot	144 1/2 (3670)	132 3/8 (3363)	138 1/4 (3511)

Note: Overall case length without ends or partitions

Note: Please use Hussmann's technical data sheets to get precise dimensions for all store layout purposes.

Web Site: www.hussmann.com
E-mail: hussmann-marketing@irco.com

IR Ingersoll Rand
Climate Control Technologies

Hussmann Corporation
12999 St. Charles Rock Rd.
Bridgeton, MO 63044-2483
(314) 291-2000
(314) 298-4756 Fax