



Model shown with options.

P4X

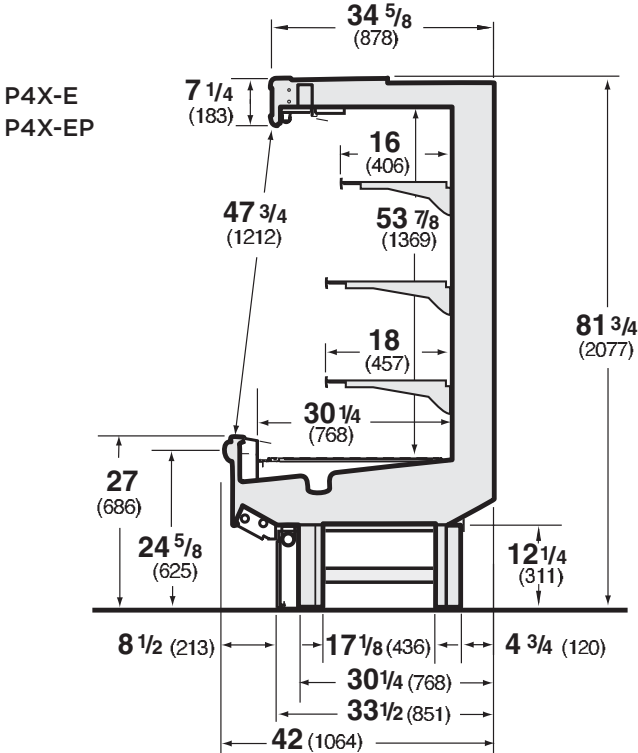
Excel Multi-Deck Produce Merchandiser
with Glass Ends

Husmann Excel Multi-Deck Merchandiser with Glass Ends for Produce Applications

P4X-E - Multi-Deck

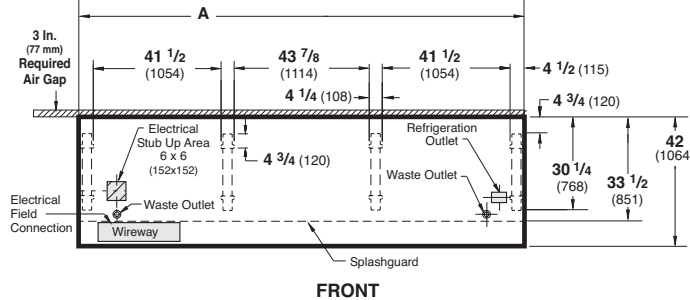
P4X-EP - Multi-Deck with E-Plus “Extra-High Efficiency” Coil

Available in 8' and 12' lengths. Contact your sales rep for information on possible availability of additional case lengths.



Plan View

P4X-E, P4X-EP



Dimension	8 FT	12 FT
A	96 3/8 (2448)	144 1/2 (3670)

Notes:
Overall case length without ends or partitions.

Note
Use Husmann’s technical data sheets to get precise dimensions for all store layout purposes.

Superior Merchandising.

The P4X creates a dramatic, highly flexible display with a wide assortment of product types. Superior display features include full vision glass ends, illuminated canopy signs, improved ledge lighting, greater shelf placement flexibility and more.

Lower Energy Costs.

The extra-high efficiency E-Plus coils reduce energy costs by 18% compared to a standard Impact produce multi-deck. Optional night curtains further reduce energy costs by 12.6%.

Superior Shelf Life.

Modular coils and off-time defrost reduce thermal shock and stabilize product temperatures. Modular defrost, optional, further stabilizes temperatures.

Lower Labor Costs.

Labor saving features include greater clearance under the case, easy-to-clean bathtub bottom, easier raceway access, 2-ft honeycomb sections, easily removable interior panels and more.

Superior Reliability.

Our five year modular coil warranty is the best available. Pre-set adjustable expansion valves are designed to hold optimal temperatures.

DOE 2012 Energy Efficiency Compliant Husmann refrigerated merchandisers configured for sale for use in the United States meet or surpass the requirements of the DOE 2012 energy efficiency standards.

NOTE: These merchandisers are designed for use in stores when temperature and humidity do not exceed 75°F and 55% R.H.

NOTE: We reserve the right to change or revise specifications and product design in connection with any feature of our products. Such changes do not entitle the buyer to corresponding changes, improvements, additions, or replacements for equipment previously sold or shipped.

For additional resources, contact your representative or visit www.husmann.com.



Husmann Corporation
12999 St. Charles Rock Rd.
Bridgeton, MO 63044-2483
Ph: 314.291.2000

www.husmann.com