



---

## M1X

Excel Single-Deck Meat  
Display Merchandiser

- More energy efficient.
- More merchandising capacity.

# Hussmann Excel Single-Deck Display Merchandiser for Fresh Meat Applications

## M1X-E - Single-Deck

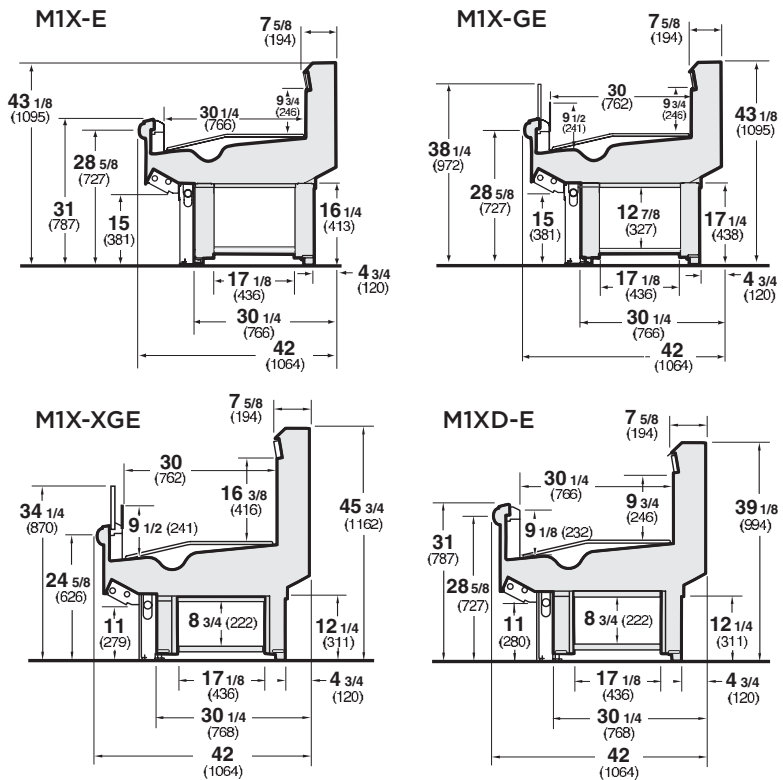
## M1X-GE - Single-Deck with Glass Front

## M1X-XGE - Single-Deck, Deep Well with Glass Front

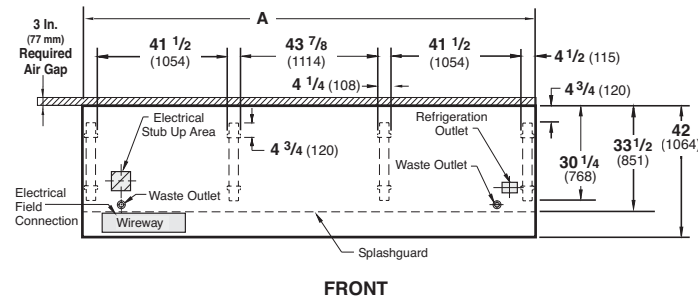
## M1XD-E - Single-Deck, Deep Well

Available in 8' and 12' lengths.

Contact your sales rep for information  
on possible availability of additional  
case lengths.



## Plan View



Dimension	8 FT	12 FT
A	96 3/8 (2448)	144 1/2 (3670)

**Notes:**  
 Overall case length without ends or partitions.

## Note

Use Hussmann's technical data sheets to get precise dimensions for all store layout purposes.

## Excellent Merchandising.

Easy reach and a wide open deck create an effective M1X merchandising platform in applications requiring single-deck meat display. A glass front option and a deeper deck in the M1X-XGE increase the volume and visibility of your fresh meat products.

## Superior Shelf Life.

Modular coils and off-time defrost reduce thermal shock and stabilize meat temperatures, resulting in fresher meats and longer shelf life. Modular defrost can be optionally included to further stabilize temperatures.

## Lower Labor Costs.

Labor saving features include greater clearance under the case, easy-to-clean bathtub bottom, easier raceway access, 2-ft honeycomb sections and more.

## Superior Reliability.

Our five year modular coil warranty is the best available. Pre-set adjustable expansion valves are designed to hold optimal temperatures.

**DOE 2012 Energy Efficiency Compliant** Hussmann refrigerated merchandisers configured for sale for use in the United States meet or surpass the requirements of the DOE 2012 energy efficiency standards.

NOTE: These merchandisers are designed for use in stores when temperature and humidity do not exceed 75°F and 55% R.H.

NOTE: We reserve the right to change or revise specifications and product design in connection with any feature of our products. Such changes do not entitle the buyer to corresponding changes, improvements, additions, or replacements for equipment previously sold or shipped.

For additional resources, contact your representative or visit [www.hussmann.com](http://www.hussmann.com).

# HUSSMANN®

**Hussmann Corporation**  
 12999 St. Charles Rock Rd.  
 Bridgeton, MO 63044-2483  
 Ph: 314.291.2000

[www.hussmann.com](http://www.hussmann.com)