

HUSSMANN®

For a matching side-by-side display of dairy, deli, beverages and wine, be sure to see the companion HGL-BS series of low temperature 1-, 2- and 3-door models.



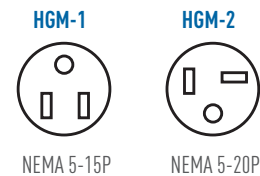
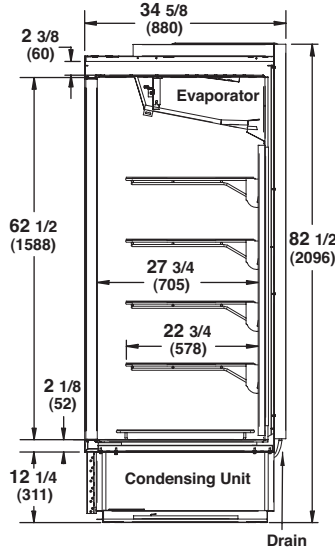
HGM-BS

Vertical, Bottom Mount, Self-Contained
Medium Temperature Merchandiser

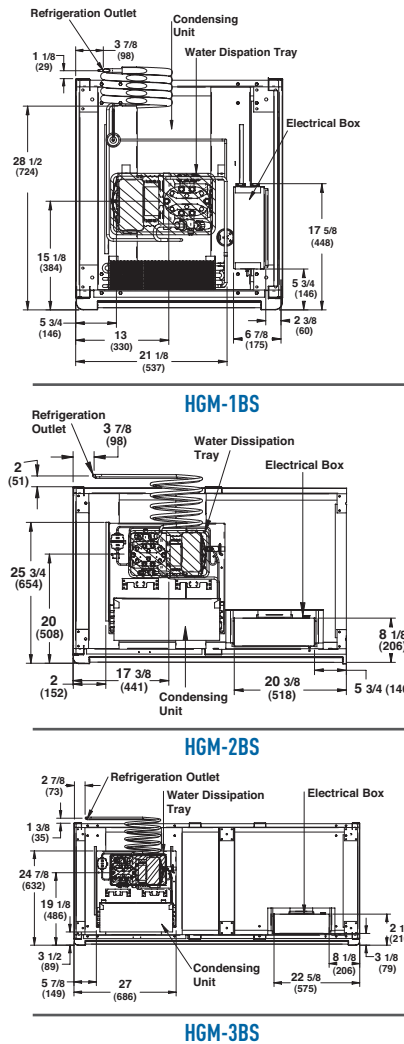
- Hinged Glass Door

Vertical, Bottom Mount, Self-Contained Merchandiser for Beverage, Dairy, and Deli Applications

HGM-1BS, HGM-2BS, HGM-3BS - Bottom Mount, Med Temp Glass Door Merchandiser



Plan Views



Specifications

Model	Exterior Dimensions		
	L	D*	H
HGM-1BS	28-7/8"	34-5/8"	82-1/2"
**HGM-1B	28-7/8"	34-5/8"	82-1/2"
HGM-2BS	52"	34-5/8"	82-1/2"
**HGM-2B	52"	34-5/8"	82-1/2"
HGM-3BS	75-3/8"	34-5/8"	82-1/2"
**HGM-3B	75-3/8"	34-5/8"	82-1/2"

Electrical

Model	Nom. HP	Refrig.	Hz/Ph	Volts	Run Amps	Fuse Amps	NEMA Plugs	Refrig. Load (BTU/h)	A/C Load (BTU/h)	Energy Consumption (kWh/day)	Approx. Ship Wt. (lbs)
HGM-1BS	1/3	R-134a	60/1	115	11.8	15	5-15P	1870	2575	5.46	593
**HGM-1B	-	R-134a	60/1	115	5.3	15	Hardwired	1870	-	-	520
HGM-2BS	1/2	R-134a	60/1	115	12.5	20	5-20P	2300	3165	8.96	825
**HGM-2B	-	R-134a	60/1	115	6.0	15	Hardwired	2300	-	-	730
HGM-3BS	3/4	R-134a	60/1	115	20.5	30	Hardwired	4270	5875	9.84	1096
**HGM-3B	-	R-134a	60/1	115	8.0	15	Hardwired	4270	-	-	991

* Exclusive of door handles.

** Remote version requires floor drain.

Optional lighted sign increases overall height to 83- 9/16".



Hussmann refrigerated merchandisers configured for sale for use in the United States meet or surpass the requirements of the DOE 2012 energy efficiency standards.



Advanced Design.

- Contemporary styling places maximum attention on merchandising.
- All HGM merchandisers have the same access panel design for commonality between merchandisers.
- White powder-coated exterior and interior finish.

Merchandising with Style.

- Polished silver door/frame standard.
- Interior LED lights.
- Each door section includes four adjustable cantilever-type shelves and a bottom rack.
- All shelves and racks have a white epoxy coated finish. Shelves may be slanted for special displays and are interchangeable in all models.
- Full use of the upright posts is available for positioning the shelves.
- Shelf bracket profiles have been slimmed down to better facilitate product merchandising under and across the shelves.

Smart Construction.

- Doors can be locked open for stocking.
- The HGM-1BS and HGM-2BS are equipped with 115 volt power cord (see diagram).
- The HGM-3BS requires field wiring to 115 volt service.

Innovative Refrigeration.

- Easy-to-read digital solar powered thermometer.
- Electronic temperature control ensures consistent product temperature.

Optional Accessories.

- Variety of exterior colors.
- Three-tier step rack, additional display shelves available.
- Price tag molding.
- Baskets, peg bar and hooks.
- Door guard, shelf product stops, and skirt and caster kits.
- LED lighted sign.
- Door locks.
- Leveler kit.
- Can dispensing rack.

NOTE: These merchandisers are designed for use in stores when temperature and humidity do not exceed 75°F and 55% R.H. Case is designed for holding pre-chilled product only.

NOTE: We reserve the right to change or revise specifications and product design in connection with any feature of our products. Such changes do not entitle the buyer to corresponding changes, improvements, additions, or replacements for equipment previously sold or shipped.

For additional resources and warranties, contact your representative or visit www.hussmann.com.



Hussmann Corporation
12999 St. Charles Rock Rd.
Bridgeton, MO 63044-2483
Ph: 314.291.2000

www.hussmann.com