

INTRODUCING

# THE BIG SHOW OFF

- Refrigerated products stay fresh & appealing
- Maximum capacity, fully adjustable shelves
- Energy efficient, vapor sealed glass doors
- Soft-Flo™ air circulation extends product life
- Big, glare-free, well lit case shows products at their best

Model SKDC48PT



Model SKDC48ST



Model SKDC48

  
**SILVER KING**®  
WE'VE GOT REFRIGERATION DOWN COLD.™

# REFRIGERATED DISPLAY CASE SPECIFICATIONS

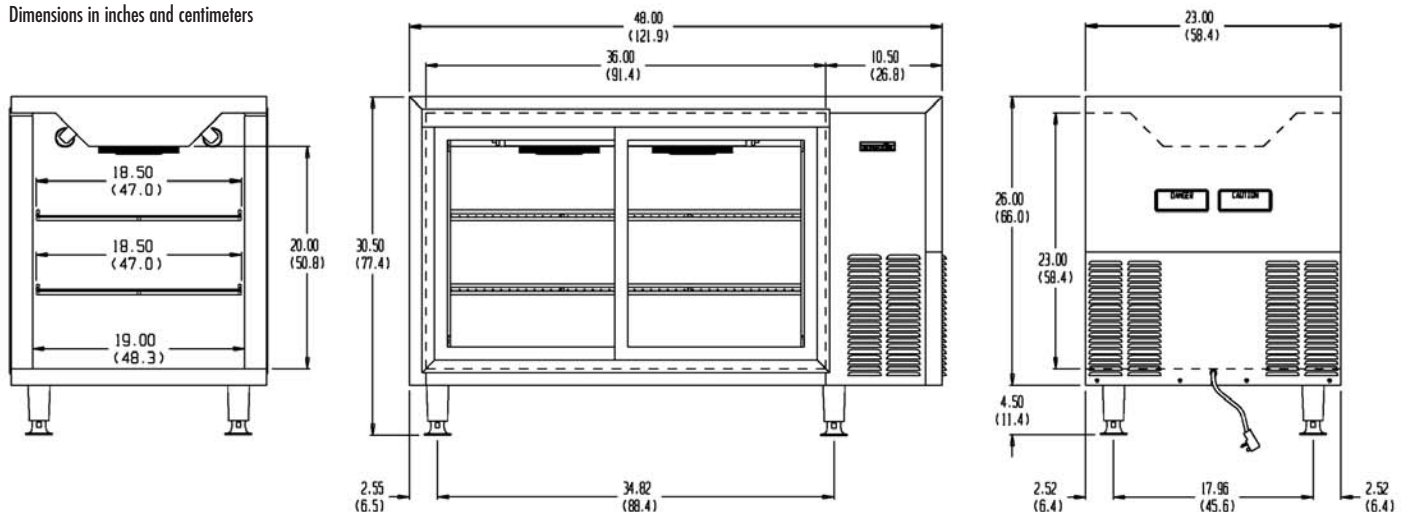
<b>MODELS</b>	<b>EXTERIOR</b>	Stainless steel.
<b>SKDC48</b>	<b>INTERIOR</b>	Stainless steel with covered corners throughout for fast, easy cleaning. Fluorescent light with easily accessible on/off switch.
<b>SKDC48PT</b>	<b>INSULATION</b>	Environmentally friendly foamed-in-place polyurethane insulation for maximum insulation, strength and durability.
<b>SKDC48ST</b>	<b>SHELVES</b>	Heavy gauge wire shelves are hand dipped, not sprayed, providing double thick epoxy coating for superior durability and smooth finish. Adjustable in 1/2" increments on stainless steel pilasters. Two supplied.
	<b>GLASS DOORS</b>	Double pane, vapor sealed, thermo insulated, positive closing doors with high impact vinyl frame to prevent thermal loss. Self-closing doors operate on easy-glide roller bearings. Easily removed for cleaning.
	<b>LEGS</b>	Adjustable, 4" bullet type legs standard.
	<b>REFRIGERATION</b>	CFC-free, hermetically sealed, high efficiency, self contained system features automatic defrosting with Soft-Flo™ air circulation. Evaporator coil positioned for uniform air distribution and optimum cooling. Adjustable temperature control and built-in temperature indicator. Automatic condensate evaporator eliminates drain and plumbing connections.
	<b>ELECTRICAL</b>	Standard 115 volt, 60 Hz, single phase operation with 8 foot, 3-wire service cord and NEMA 5-15P plug. Also available in 230 volt, 50 Hz, single phase and 230 volt, 60Hz, single phase.
	<b>LISTINGS</b>	ETL (U.S. and Canada), NSF International.
	<b>WARRANTY</b>	One year parts and labor warranty on cabinet and refrigeration system. Five year warranty on compressor.
	<b>OPTIONS</b>	Wall Mount Kit.

MODEL	LENGTH	DEPTH	HEIGHT (with legs)	HEIGHT (without legs)	SHELF AREA	CAPACITY	COMPRESSOR	AMPS	WEIGHT
SKDC48	48"	23"	30"-31"	26"	13.7 sq. ft.	8.1 cu. ft.	1/4 hp	3.9	205 lbs
SKDC48PT	48"	23"	30"-31"	26"	13.7 sq. ft.	8.1 cu. ft.	1/4 hp	3.9	205 lbs
SKDC48ST	48"	23"	30"-31"	26"	13.7 sq. ft.	8.1 cu. ft.	1/4 hp	3.9	205 lbs



Specifications subject to change without notice.

Dimensions in inches and centimeters



1600 Xenium Lane North  
 Minneapolis, MN 55441-3787  
 Phone (763) 923-2441  
 Fax (763) 553-1209  
 www.silverking.com

#FNSKDC04  
 © Silver King 2004  
 Printed in U.S.A.