

**REFRIGERATOR MANUFACTURER**  
**Turbo air**  
 more durable, convenient, beautiful

1250 Victoria St  
 Carson, CA 90746  
 Tel. 310-900-1000  
 Fax. 310-900-1077  
[www.turboairinc.com](http://www.turboairinc.com)

Project :	
Model # :	
Item # :	Qty :
Available W/H :	
Approval :	

## Glass Door Refrigerator

Reach-In Bottom Mounts  
 New Maximum Series

### FEATURES / BENEFITS

**Model : MSR-23G-1**

#### DIGITAL TEMPERATURE CONTROL SYSTEM

Provides precise and constant temperature. This level of precision allows food products to remain fresh over an extended period of time.

#### HIGH-TECH MONITOR

The unit will beep if the door has been opened for more than 30 seconds. The monitor digitally displays the present temperature and current status of the refrigerator. You can easily change the temperature by adjusting the thermostat.

#### EFFICIENT REFRIGERATION SYSTEM

Turbo Air's glass door refrigerators are designed with oversized and balanced (CFC Free R-134A) refrigeration systems. These include efficient evaporators and condensers for faster cooling and greater efficiency.

#### AUTOMATIC EVAPORATOR FAN MOTOR DELAYS

Through stopping the evaporator fan when the refrigerator door opens, the circulation of hot, moist air into the refrigerator is prevented. This increases energy efficiency and lengthens the life of the compressor.

#### STAINLESS STEEL INTERIOR & EXTERIOR WITH AL SIDES

The Turbo Air New Maximum model is constructed with stainless steel top & bottom grilles and clear aluminum coated side panels. The door is glass with AL frame. The interior is stainless steel that guarantees the utmost in cleanliness and long products life. The New Maximum can add a touch of style to the most refined setting.

#### ADJUSTABLE, HEAVY DUTY, PE(POLYETHYLENE) COATED WIRE SHELVES

#### HIGH-DENSITY POLYURETHANE INSULATION

The entire cabinet structure is foamed-in-place using high density, CFC free polyurethane insulation.

#### ERGONOMICALLY DESIGNED DOORS

Customers' fatigue fades away with easy grip handles and doors that open effortlessly. Self-closing features make this the ultimate choice in customer convenience.

#### DOUBLE PANE GLASS DOORS WITH HEAT REFLECTING FILM

Equipped with unique double pane glass doors with a layer of patented, transparent thermal insulating film applied between the two glass layers. Light weight door construction reduces door maintenance.

#### MAGNETIC DOOR GASKETS

Magnetic door gaskets are of one piece construction, removable without tools for ease of cleaning and replacement.

#### BOTTOM MOUNT COMPRESSOR UNITS

Turbo Air's bottom mount compressor allows easier access for service and extra storage space above. In addition, the lower area provides a cooler and less greasy operating environment which results in reduced compressor running time.



**REFRIGERATOR HOLDS 34°F ~ 39°F FOR THE BEST IN FOOD PRESERVATION**



ENERGY STAR  
 Qualified

Model	Swing Door	CU./FT.	#of Shelves	HP	AMPS	Crated Weight (lbs.)	L x D <sup>*</sup> x H <sup>†</sup> (inches)
MSR-23G-1	1	23	3	1/4	5.3	310	27 x 30 <sup>3</sup> / <sub>4</sub> x 78 <sup>1</sup> / <sub>4</sub>

\* Depth does not include 1-1/2" for glass door handles. † Height does not include 6" for caster height.

# Glass Door Refrigerator

Reach-In Bottom Mounts  
New Maximum Series

## Model : MSR-23G-1

ELECTRICAL DATA	
Voltage	115/60/1
Plug Type	Ⓜ NEMA-5-15P
Full Load Amperes	5.3
Compressor HP	1/4
Feed Wires with Ground	3
Cord Length ft.	7
Refrigerant	R-134A
DIMENSIONAL DATA	
# of Doors	1
# of Racks Accepted	1
Net Capacity cu. ft.	23
Ext. Length Overall in.	27 (686mm)
Ext. Depth Overall in.*	30 <sup>3</sup> / <sub>4</sub> (781mm)
Ext. Height Overall in.†	78 <sup>1</sup> / <sub>4</sub> (1987mm)
Int. Length Overall in.	23 (584mm)
Int. Depth Overall in.	24 <sup>3</sup> / <sub>4</sub> (629mm)
Int. Height Overall in.	60 <sup>3</sup> / <sub>8</sub> (1534mm)
Gross Weight lbs.	310
# of Shelves	3
Shelf Size (LxD) in.	21 <sup>5</sup> / <sub>8</sub> x 23 <sup>1</sup> / <sub>4</sub>

Design and specifications subject to change without notice

\* Depth does not include 1-1/2" for glass door handles.

† Height does not include 6" for caster height.

- **WARRANTY : 1 Year Parts and Labor Warranty**  
Additional 4 Year Warranty on Compressor

- **FLUORESCENT INTERIOR LIGHTING**

- **DOOR LOCKS**

- **SELF-CONTAINED SYSTEM**

- **4" SWIVEL CASTERS**

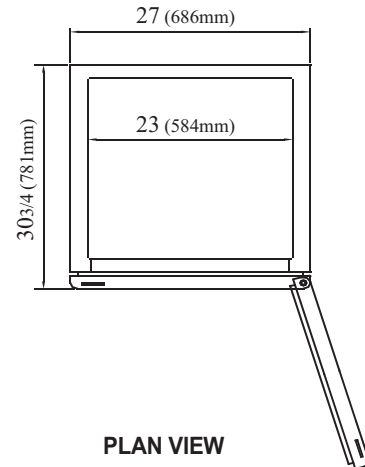
- **SOLID AND STURDY GRILLE DESIGN**

### OPTIONAL ACCESSORIES :

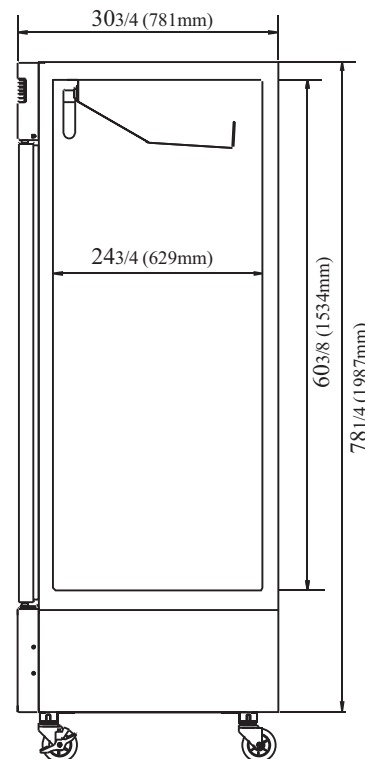
- 5" Diameter swivel casters
- 6" Standard legs
- Additional stainless steel shelves
- Additional PE coated wire shelves
- Half door bun tray racks. Each holds up to seven 18"Lx26"D sheet pans (sold separately)
- Full door bun tray racks. Each holds up to fifteen 18"Lx26"D sheet pans (sold separately)
- Remote cabinets and condensing units  
(Extra lead times may apply)

## PLAN VIEW

(unit : inch)



PLAN VIEW



SIDE VIEW



ENERGY STAR  
Qualified

- Turbo Air : 800-627-0032
- GK : 800-500-3519
- Warranty : 800-381-7770
- AC : 888-900-1002

REFRIGERATOR MANUFACTURER  
**Turbo air**

**GERMAN KNIFE**

**RADIANCE**

**GREEN WORLD**

AIR CONDITIONER MANUFACTURER  
**Turbo air**