

HUSSMANN[®]
SPECIALTY PRODUCTS

SHVS
Service Bakery



IR Ingersoll Rand
Climate Control Technologies

Merchandising Capacity

This high volume service bakery case can hold up to 3 rows of shelves in a small width footprint



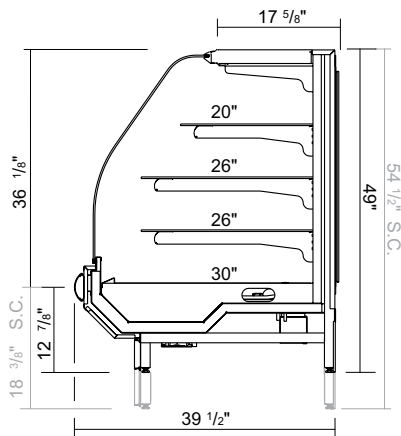
Merchandising Visibility

Optional curved non-glare glass and built in air sweep assures the product looks great



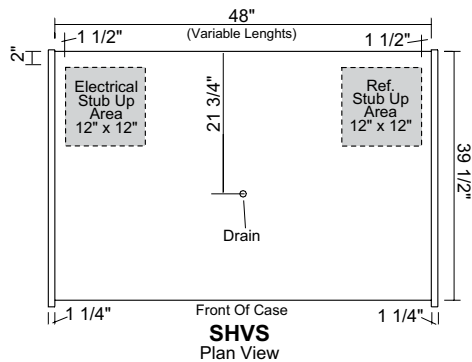
Remote ; 48" • 57 1/2" • 75 1/2"
Self Contained; 48" • 57 1/2" • 75 1/2"
Non-Refrigerated; 48" • 57 1/2" • 75 1/2"
(Self Contained and non-refrigerated models have Safety Certification only. Consult factory to request Sanitation Certification.)

- FEATURES**
- Tempered, double curved, lift up front glass
 - T-8 top lighting
 - One 20" and two 26" white wire, lighted shelves
 - Thermostat
 - White interior
 - Rear sliding doors (self contained)
 - Mirrored rear sliding doors
 - Please reference Color Chart for choice of standard Hussmann paint and finish options (www.hussmann.com)



SHVS
Summit High Volume Service Bakery Case
(Non-Refrigerated and Refrigerated)

- OPTIONS**
- Non-glare glass
 - Silver, black or gold hardware
 - Gold, chrome, or glass wire shelves
 - Solid, view or mirrored ends
 - Sloped case-top cake display with plexiglass sneeze guard
 - Stainless steel interior
 - Custom lengths and options*
(consult your Hussmann sales representative)



Front Of Case
SHVS
Plan View

For further information, specs and photos:
www.hussmann.com

Matching family members
Multi-Deck Self-Service: **SHVSS**
Multi-Deck Self-Service Frozen: **SCSS**



HUSSMANN Specialty Products
13770 Ramona Avenue
Chino, California 91710
(800) 395-9229 (Marketing)
(909) 590-4133 Fax
www.hussmann.com



These merchandisers are designed for use in stores where temperature and humidity do not exceed 75°F and 55% R.H. (We reserve the right to change or revise specifications and product design in connection with any feature of our products. Such changes do not entitle the buyer to corresponding changes, improvements, additions, or replacement of equipment previously sold or shipped.) *Some optional features may be certified by UL, NSF, and/or other 3rd party certification agencies. Contact Hussmann for verification or requests for such certification.